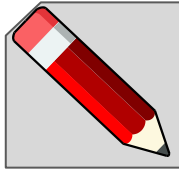


dr

Name: _____

Class: _____

Date: _____

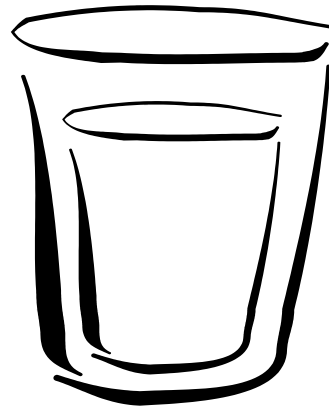


Colour the picture. Write the word in the spaces provided. Say the name of the pictures.



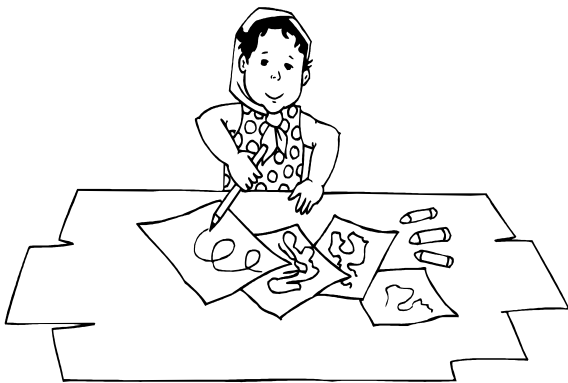
e
r
d
s
s

■ ■ ■ ■ ■



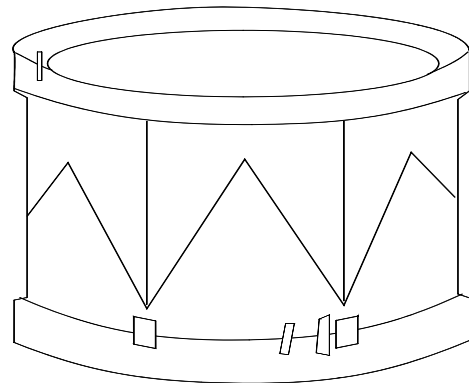
r
d
n
k
i

■ ■ ■ ■ ■



a
r
d
w

■ ■ ■ ■ ■



u
r
m
d

■ ■ ■ ■ ■